



PASVE® BA is a ball-type mounting & service valve for SATRON VL- and VDtL - pressure and differential pressure transmitters and also for Satron HPS hydraulic pressure seals. **PASVE® BA** makes it simple to disconnect the transmitter from the process for checking, changing the transmitter, flushing and calibration without stopping the process. **PASVE® BA** is available in a manually operated type or equipped with a pneumatic actuator.

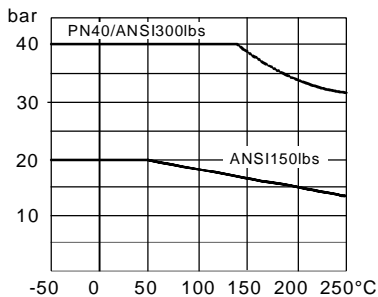
TECHNICAL SPECIFICATIONS

Transmitter connection

M45x2 female thread, suitable for SATRON VL- and VDtL-transmitters and for Satron HPS hydraulic pressure seals.

Max. operating pressure/temperature
Pressure 40 bar, temperature 250 °C, (see the appended table).
Min. operating temp. -50 °C.

Pressure/Temperature curve



Materials

Wetted parts : AISI316L, AISI904L, Duplex, Hastelloy C276, Titanium, 254 SMO.
Seals: PTFE, PTFE with carbon and graphite filling or PTFE 50%+AISI316 50% mixture

Weight

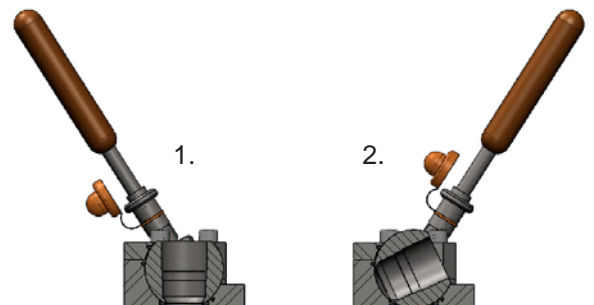
PASVE BA C 4,3 kg, **PASVE BA P** 4,2 kg,
PASVE BA F 8,4 kg, Actuator 5,5 kg

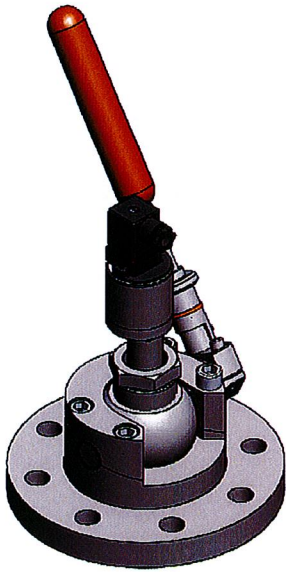
Selection table

PASVE BA		<input type="checkbox"/>	<input type="checkbox"/>	<input type="checkbox"/>	<input type="checkbox"/>	<input type="checkbox"/>	<input type="checkbox"/>	<input type="checkbox"/>	<input type="checkbox"/>
Mounting									
Wetted parts (C and P)									
	Code	Material							
C	On container	2	AISI316L(EN 1.4404) (std.)						
P	On pipe	3	Hastelloy C (EN 2.4819)						
		4	AISI904L (EN 1.4539)						
		6	Titanium Ti-2 (EN 3.7035)						
		8	Duplex (EN 1.4462)						
		K	254 SMO®						
F Flange									
Flanges		Wetted parts							
Code	Type	Code	Material						
D	DN80 PN40	2	AISI316L						
J	DN100 PN10/16	3	Hastelloy®C276						
C	DN100 PN40	4	AISI904L						
A	ANSI 3"/150 lbs	6	Titanium						
B	ANSI 3"/300 lbs	8	Duplex (EN 1.4462)						
H	ANSI 4"/150 lbs	K	254 SMO®						
G	ANSI 4"/300 lbs								
Seals									
0	PTFE + 20C + 5Gr (std.)								
1	PTFE 100%								
4	PTFE + 20C + 5Gr / AISI316 / PTFE 50 % (Hard)								
5	PTFE 100% / AISI316 / PTFE 50% (Hard)								
6	PTFE 100% / PVDF 100% (Hard)								
Pt100 Temperature transmitter									
0	No sensor								
X	With sensor (-50...+200 °C)								
Actuator									
MD	No actuator (manually operated)		AE1	Electric actuator 230 V					
AD	Double-action actuator		AE3	Electric actuator 115 V					
AS	Spring-return actuator		A0	No actuator, fittings to the actuator					
▲ Solenoid valve type (for codes AD and AS only)									
0	No solenoid valve		4	28 V DC 0.4 W (only EEx ia)					
1	230 V AC 50 Hz 2 W (std.)								
2	24 V DC 2.5 W (also EEx dm)								
3	115 V AC 60 Hz 2 W								
▲ Solenoid explosion proof									
0	No explosion proof		3	EEx dm IIC T5/T6					
1	EEx m II T4								
2	EEx ia IIC T6								
Position switches									
0	None		A	Position switch EEx ib IIC T5/T6					
X	Equipped with position switches								
E	Position switch NAMUR, DIN 19234								
Options									
Z1	Oxygen wash		Z4	Cutting ball					
Z2	Process side flushing		Z5	Diamond-coated ball					
Dokumentit									
E	English		IF	Finnish					
Material certificates									
0	No material certificate		MC2	SFS-EN 10204-2.2(DIN50049-2.2)					
MC1	SFS-EN 10204-2.1(DIN50049-2.1)		MC3	SFS-EN 10204-3.1B(DIN50049-3.1B)					
Specification example: PASVE BA FD200AD10XIEMC1									

WORKING POSITIONS

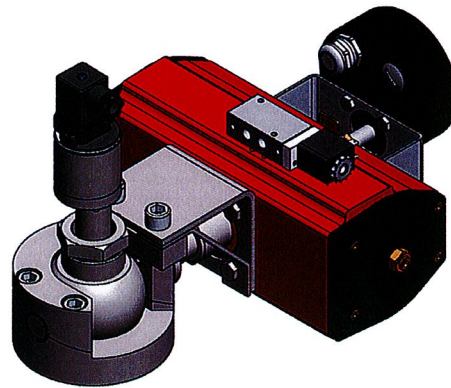
1. Transmitter in measuring
2. Transmitter can be checked, changed, calibrated or the transmitter diaphragm can be flushed





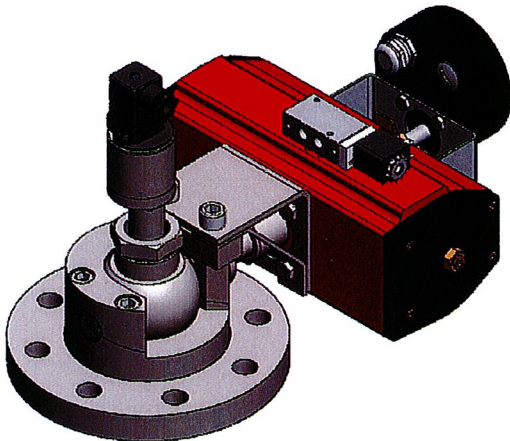
PASVE BAF

- Flange type
- Manually operated (MD)



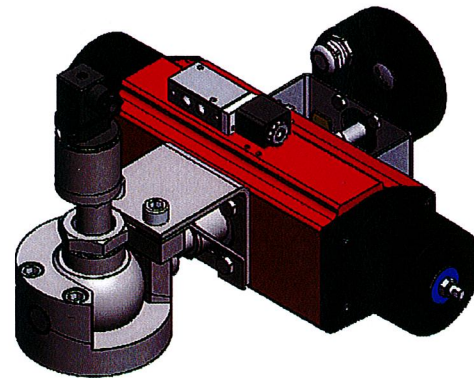
PASVE BAC

- Welded on container
- Double-action actuator (AD)



PASVE BAF

- Flange type
- Double-action actuator (AD)



PASVE BAC

- Flange type
- Spring-return actuator (AS)

Surface temperature

Ambient temperature °C	Temperature class
70	T6
85	T5
120	T4



European Directive Information

ATEX directive (94/9/EC)

Satron Instruments Inc. complies with the ATEX directive.

European Pressure Equipment Directive (PED) (97/23/EC)

- Sound Engineering Practice

European Certification

II 3 GD

We reserve the right for technical modifications without prior notice.

Teflon® is the registered trademark of E.I. du Pont de Nemours & Co.

254 SMO® is the registered trademark of Avesta Polarit AB.

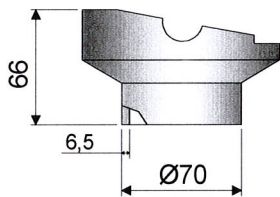
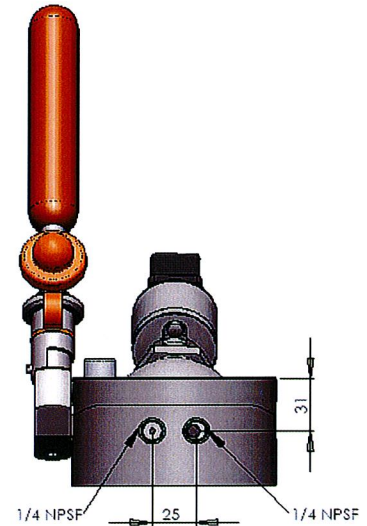
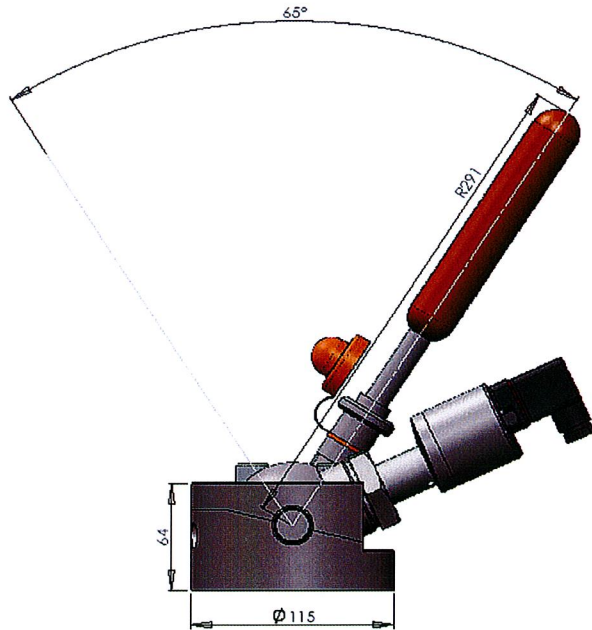
Hastelloy® is the registered trademark of Haynes International.

Pasve® is the registered trademark of Satron Instruments Inc.

Dimensions (mm)

Manually operated

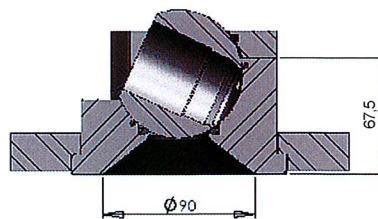
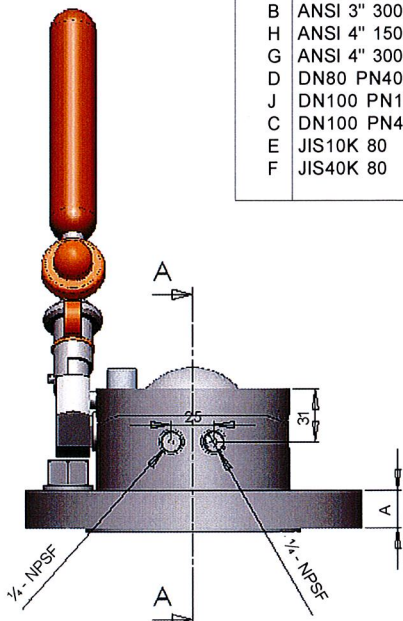
PASVE BAC
Welded on container



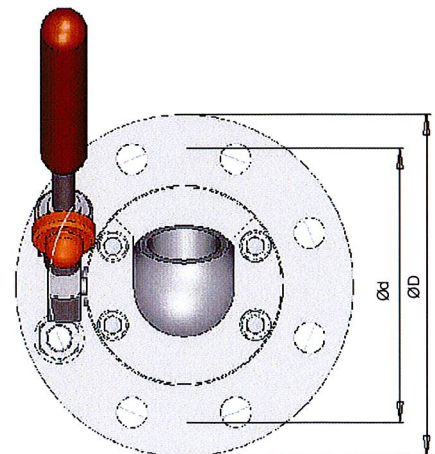
PASVE BAP
Welded on pipe

Flange (a)		ØD	Ød	A
Code	Type			
A	ANSI 3" 150 lbs	191	152.4	22
B	ANSI 3" 300 lbs	210	168.3	27
H	ANSI 4" 150 lbs	229	190.5	26
G	ANSI 4" 300 lbs	254	200	29
D	DN80 PN40	200	160	22
J	DN100 PN10/16	220	180	22
C	DN100 PN40	235	190	26
E	JIS10K 80	185	150	20
F	JIS40K 80	210	170	30

PASVE BA F-(a)
Flange type



SECTION A-A

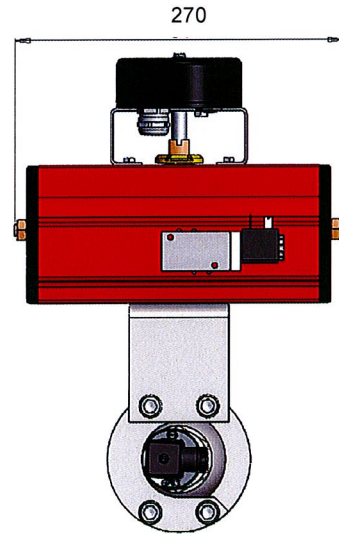
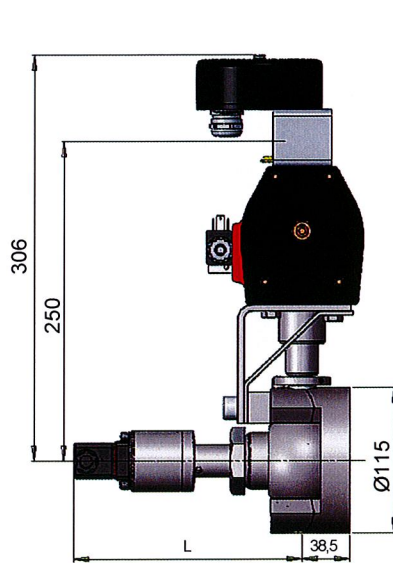


Dimensions (mm)

Automatic operated with actuator

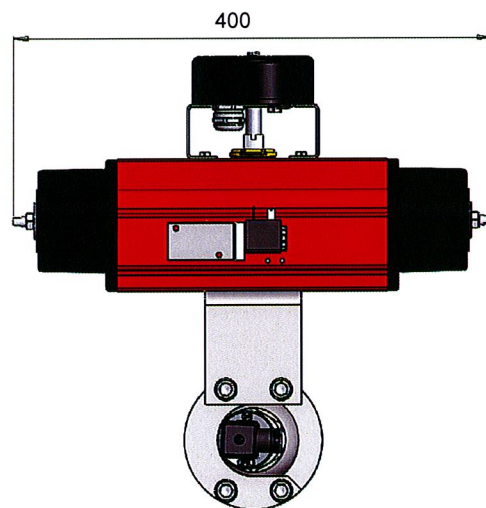
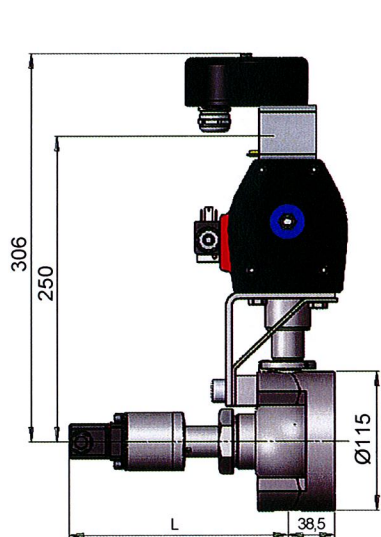
PASVE BAC

- Welded on container
- Double-action actuator (AD)



PASVE BAC

- Welded on container
- Spring-return actuator (AS)



PASVE BAF

- Flange type
- Double-action actuator (AD)

