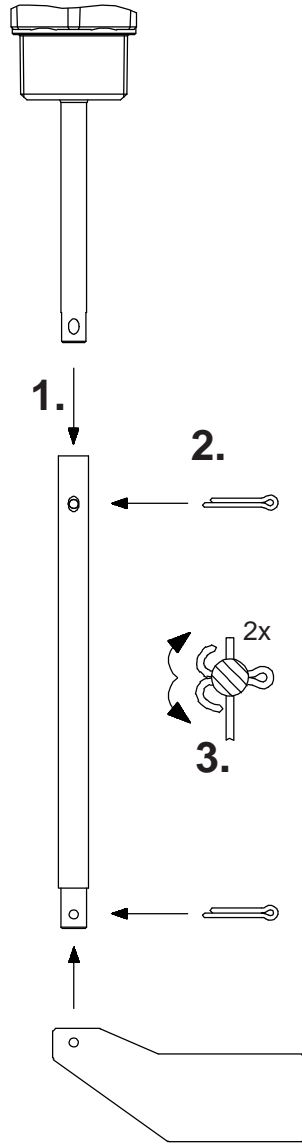
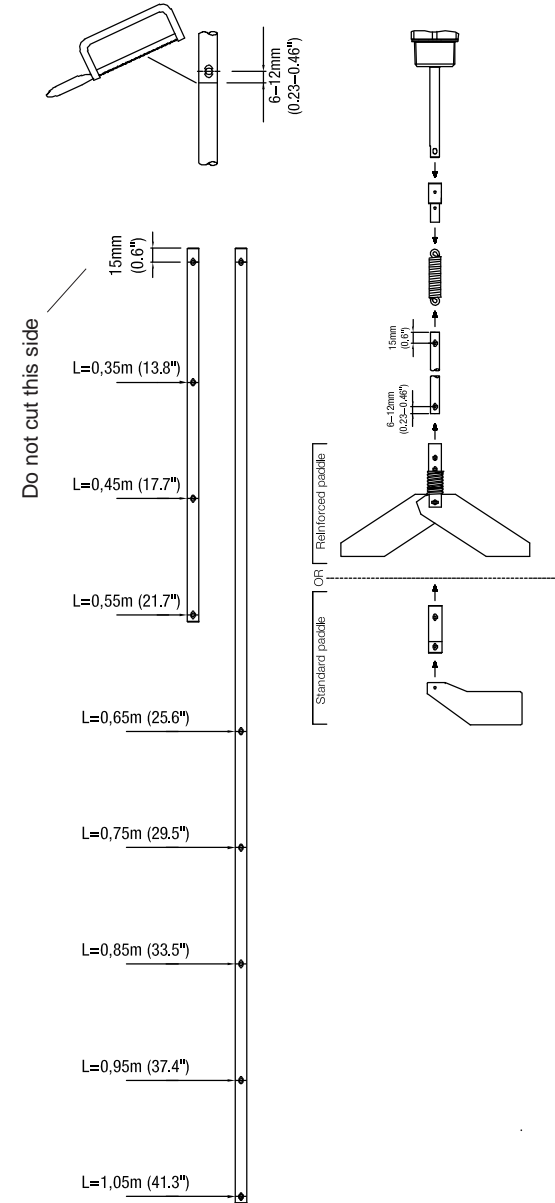


### Rigid Extension



### Pendulum shaft

1. Cut to required length.



### Rope extension

